

SKIA FRONT

Installation instructions for:

Fiat Ducato 2014 > 2021 (X290 chassis)

Peugeot Boxer (X290 chassis)

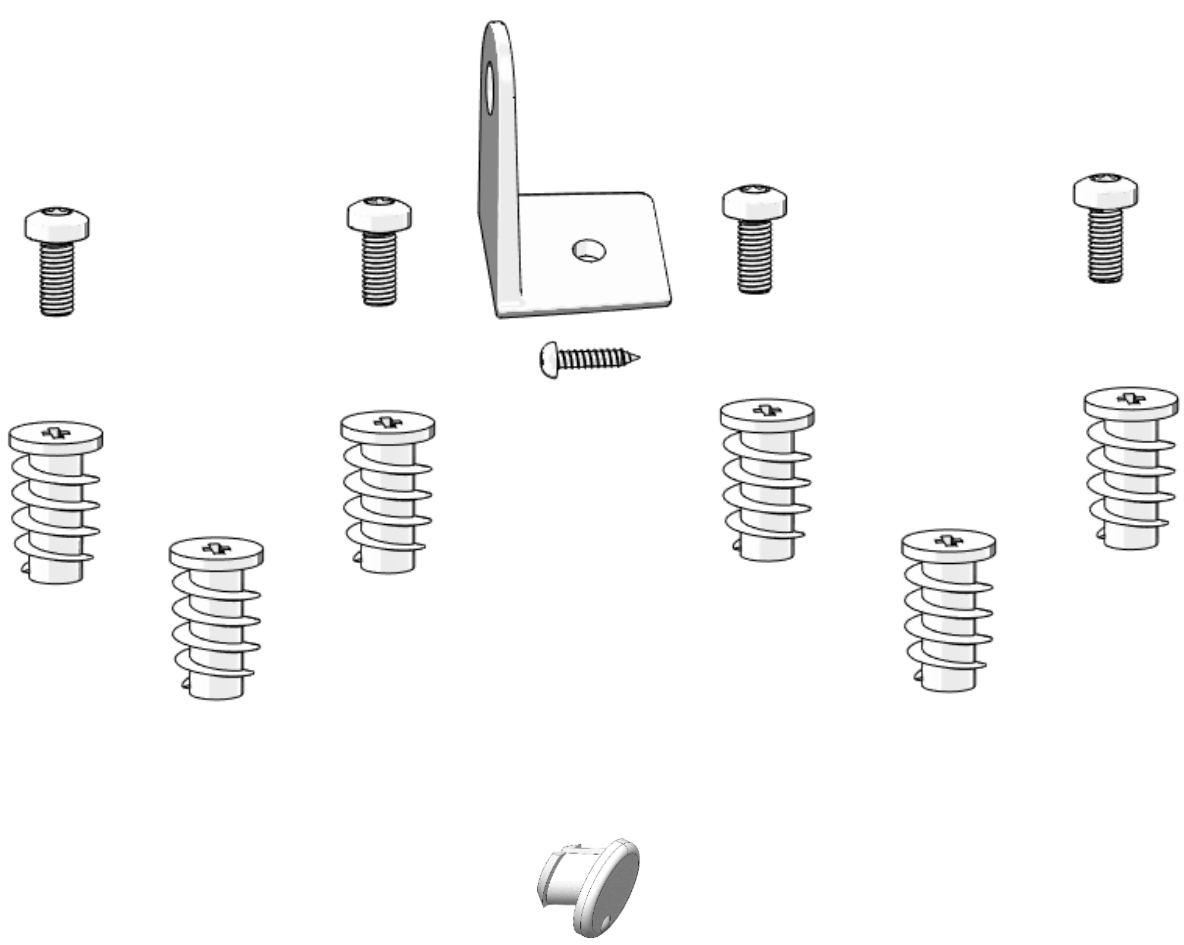
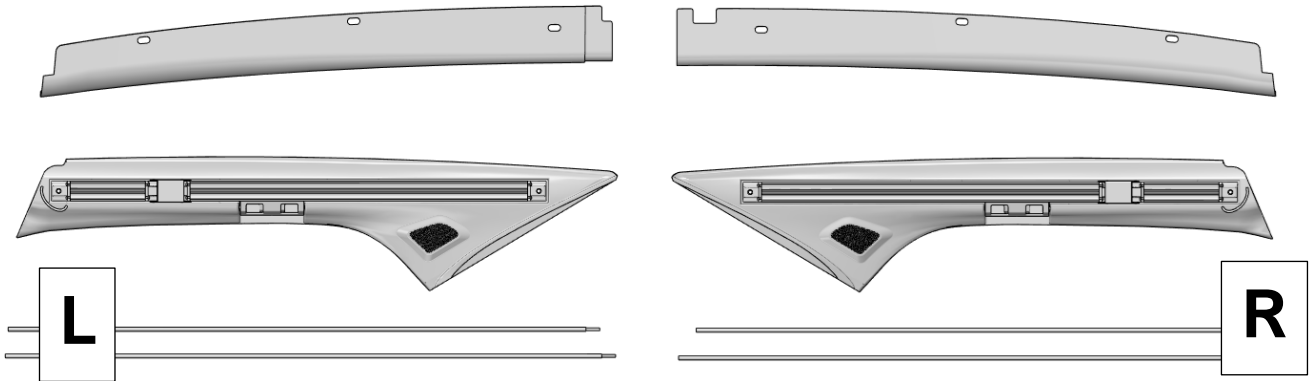
Citroën Jumper (X290 chassis)





**DISCLAIMER: CUSTOMER MUST CHECK HEADLINER COMPATIBILITY!
COMPATIBILITY IS ASSURED ONLY WITH ORIGINAL STELLANTIS HEADLINER**

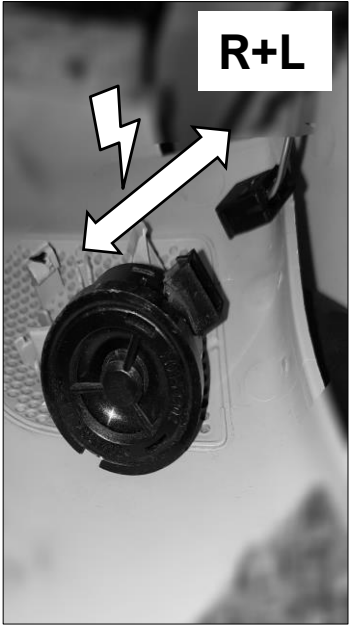
BOX CONTENTS



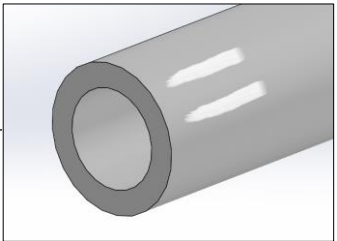
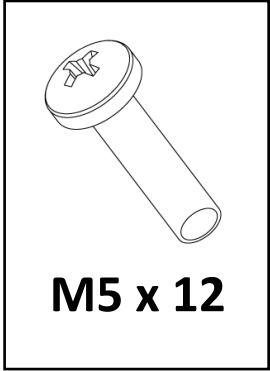
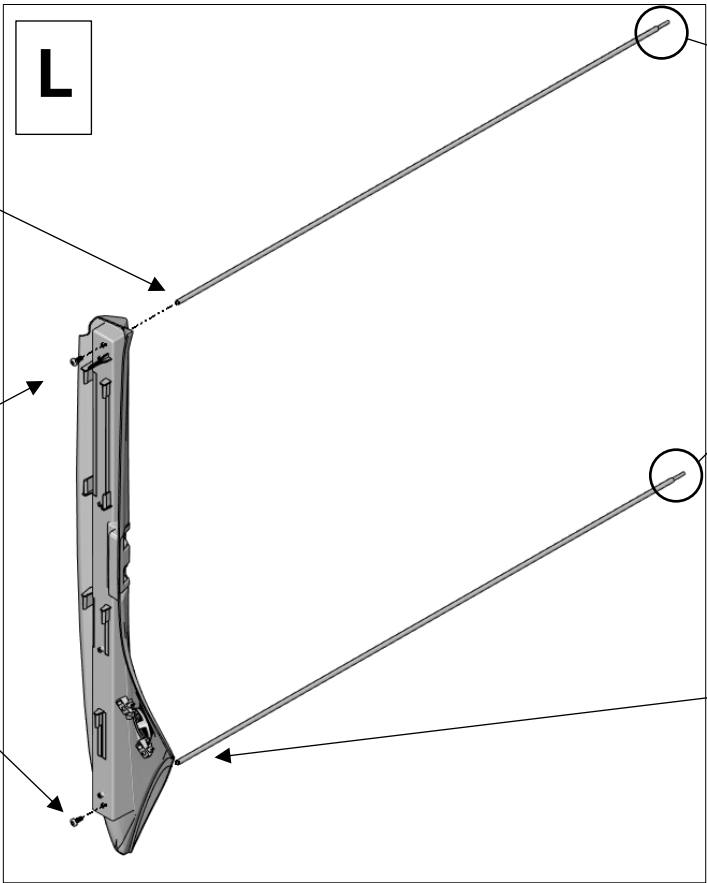
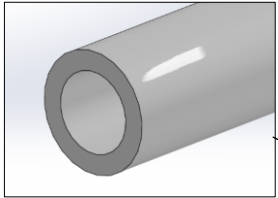
1



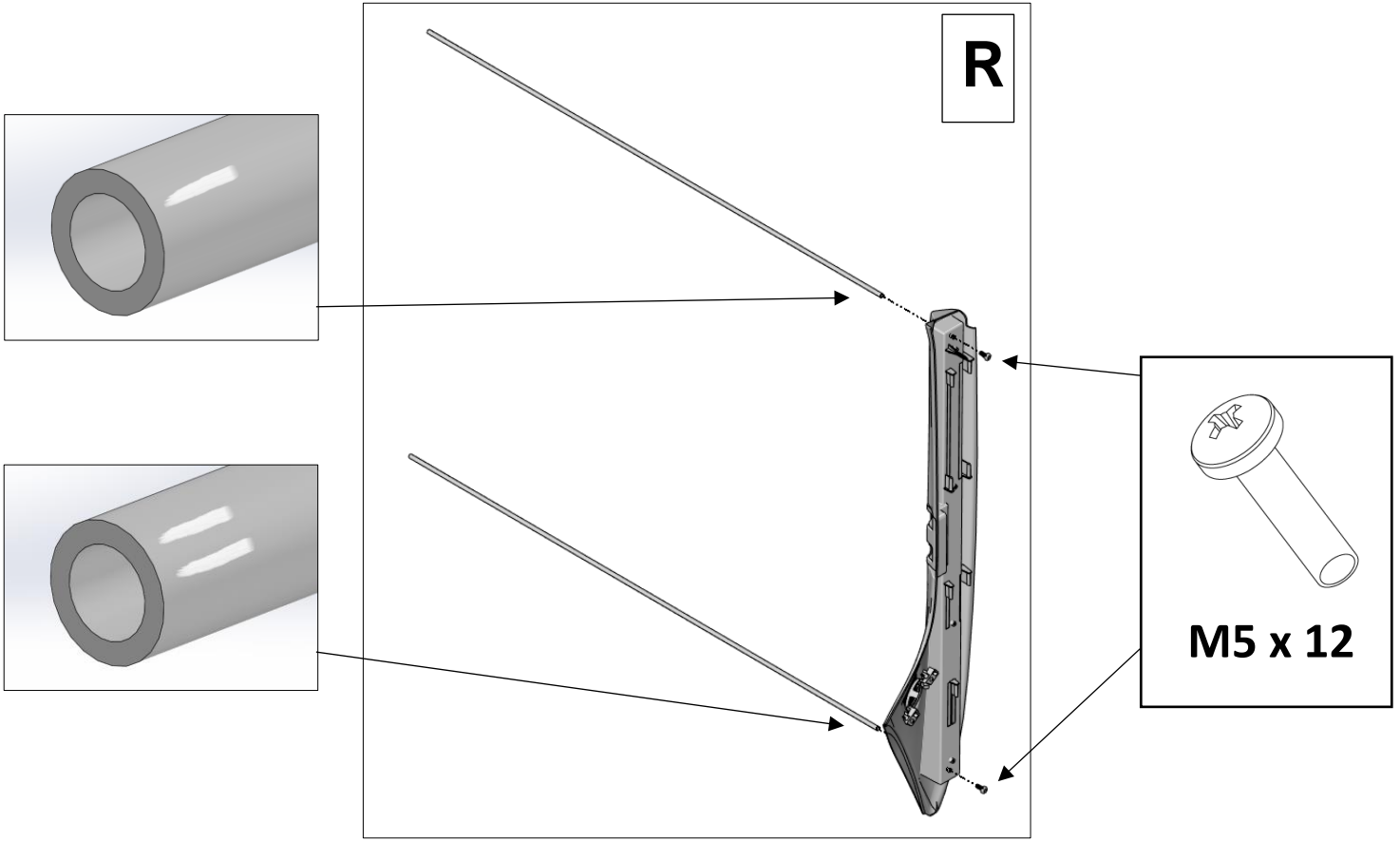
2



3.1



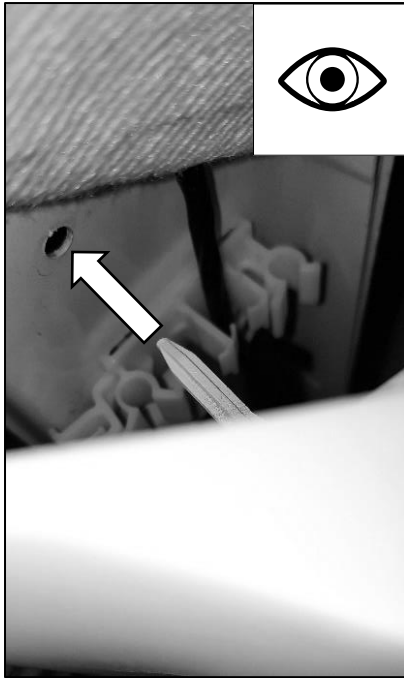
3.2



4

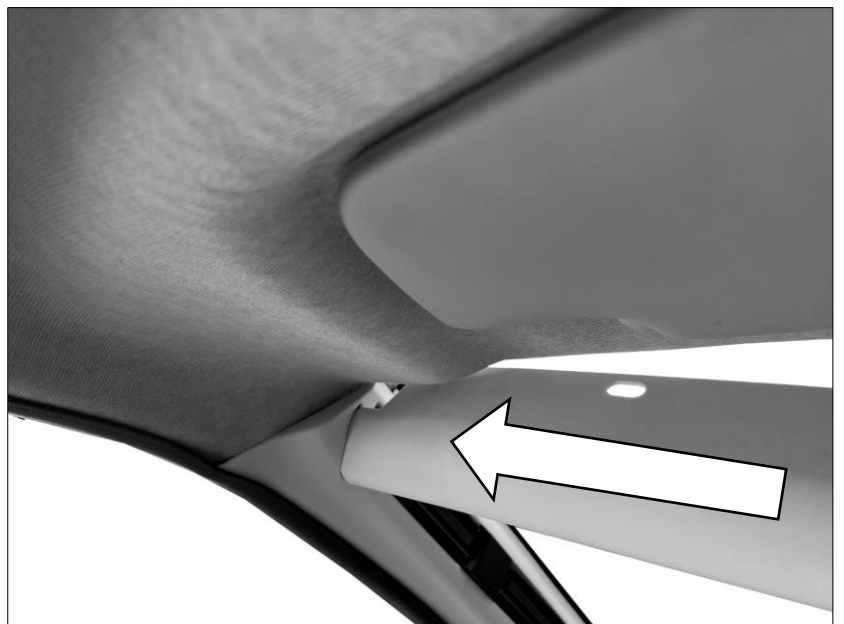


5

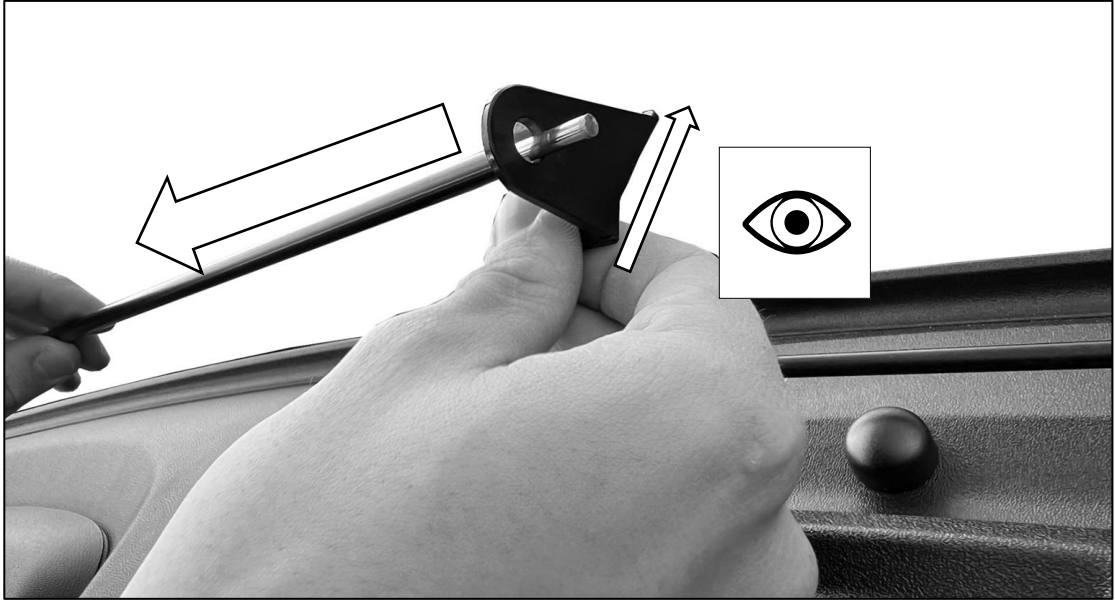


R+L

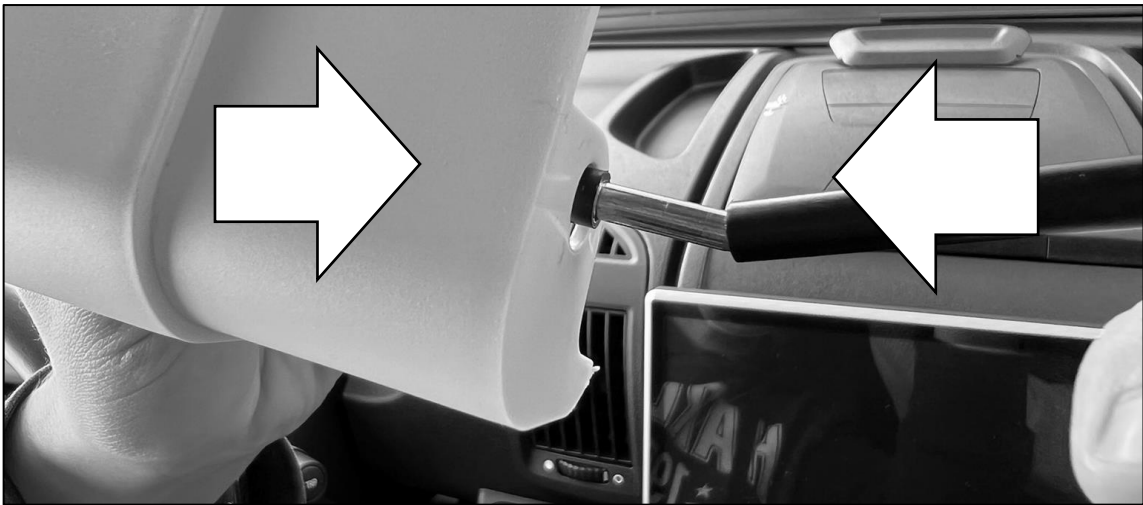
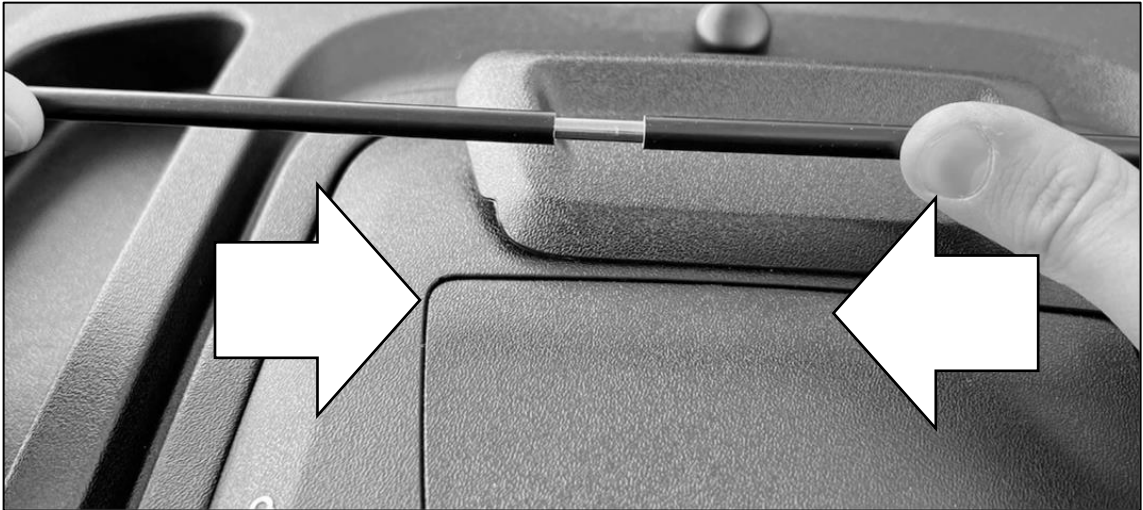
6



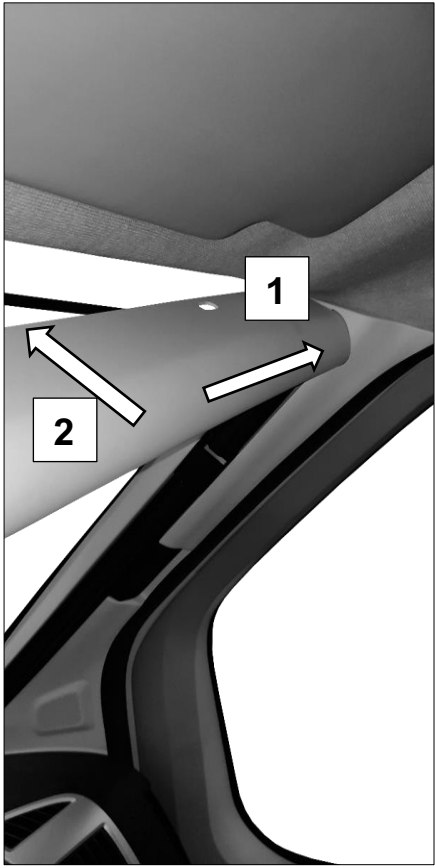
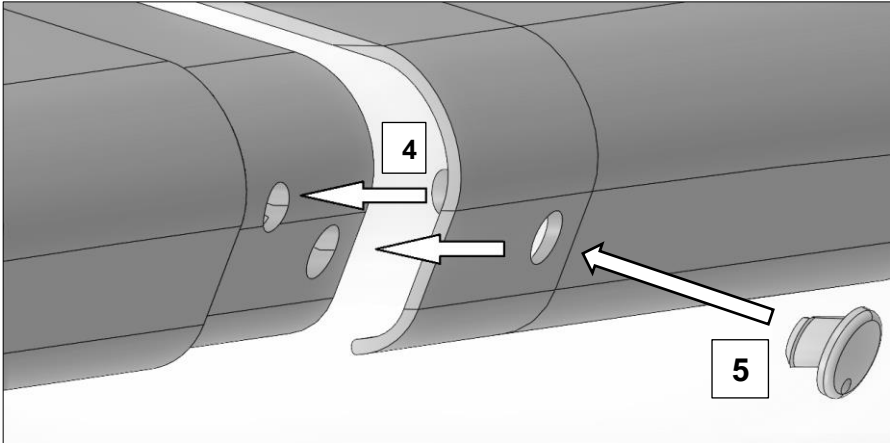
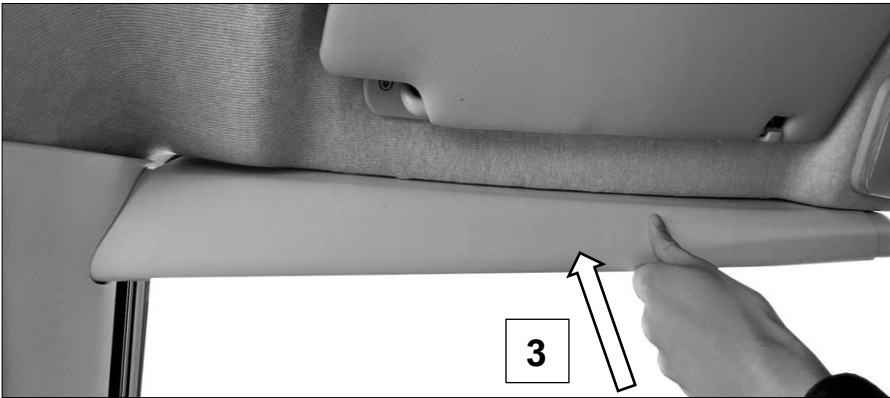
7



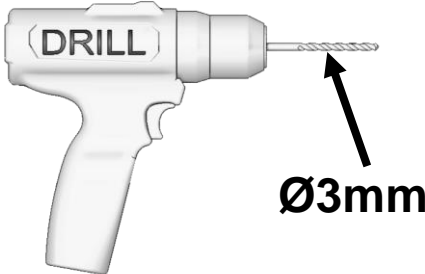
8



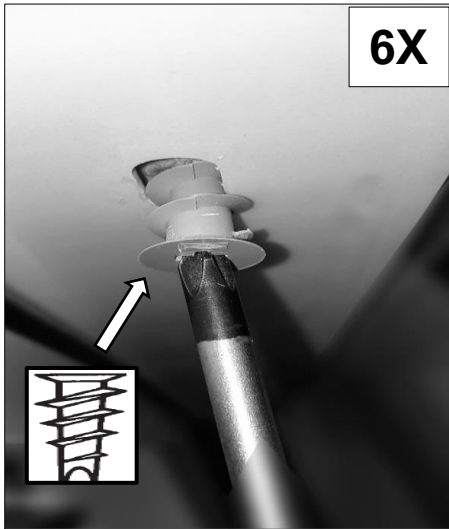
9



10

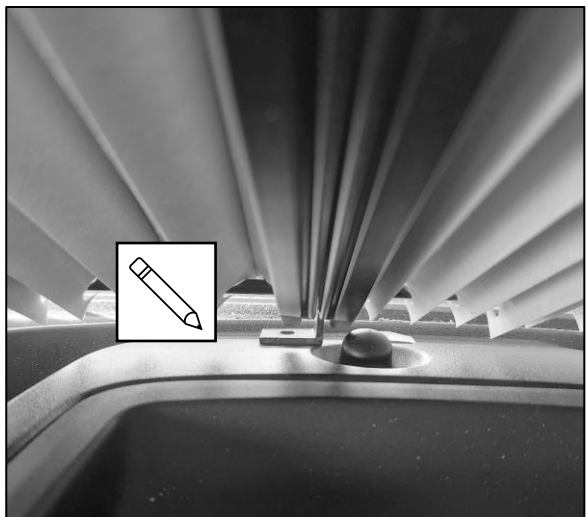
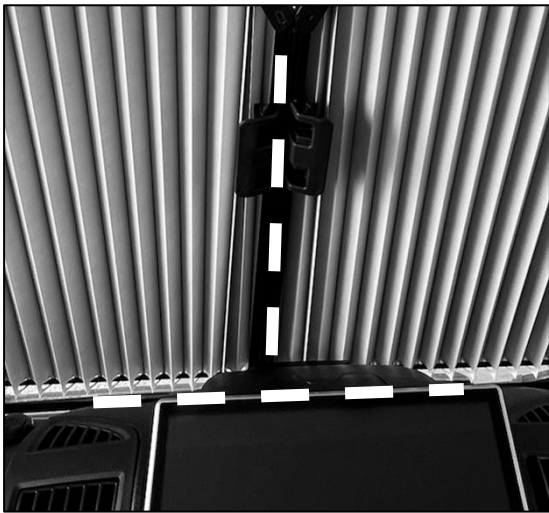


11

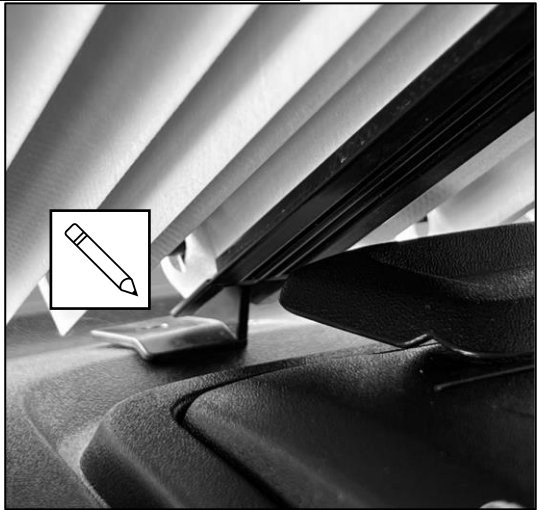


12

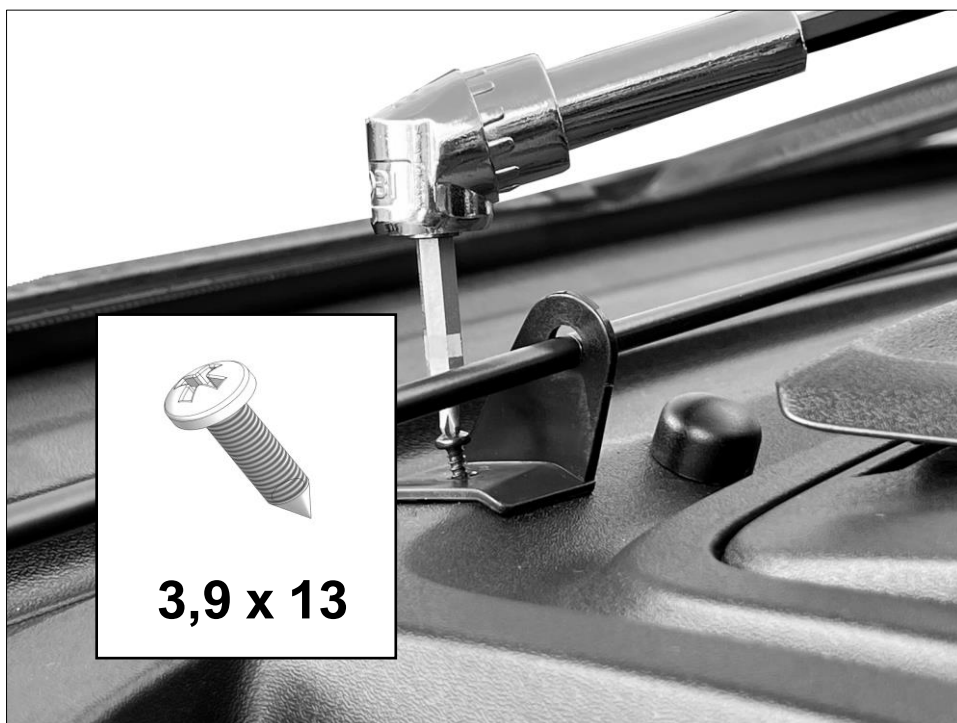
Version Ducato S8



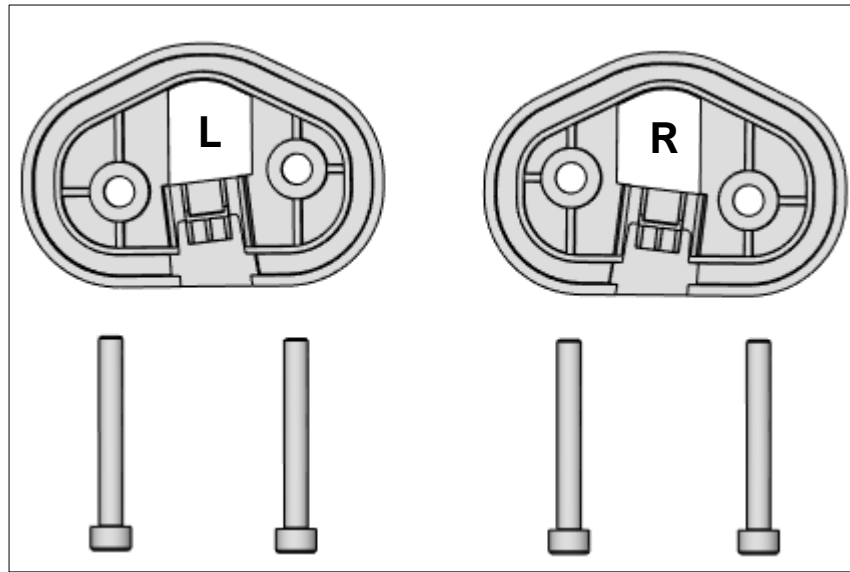
Version Ducato S7, Peugeot, Citroën



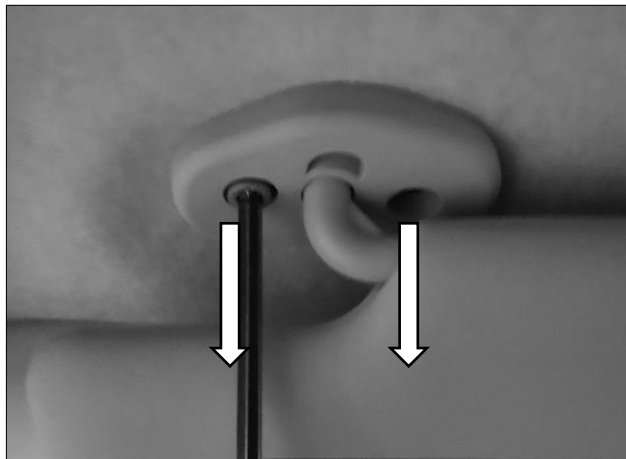
13



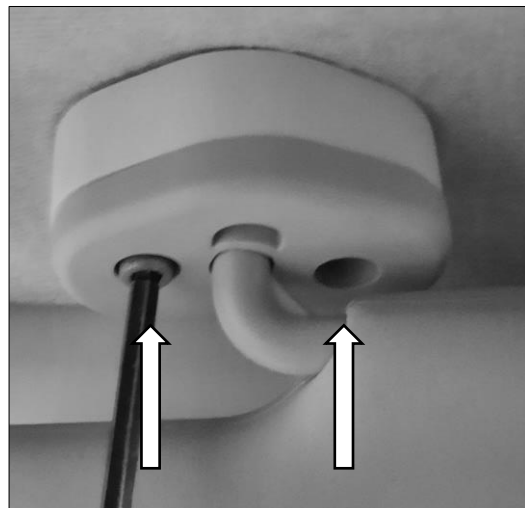
OPTIONAL



14



15





LCI Italy s.r.l.

Via Etruria, 1 – 50026 San Casciano (FI)

web: www.lippertcomponents.eu

E-mail: eu-service@lippertcomponents.com